

# ViewSonic® VIEWBOARD IFP6552

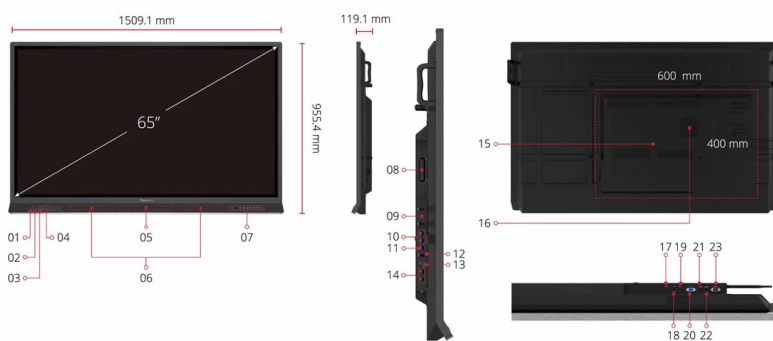
## Key Features

- New Exterior Design with Innovative Multimedia Sound Bar
- USB-C for plug-and-play connectivity via a single cable
- Dual-pen, 33-point touch with naturally smooth writing experience
- Industry-leading audio and advanced eye-care technology
- Centralized remote management system via myViewBoard Manager



## Product Description

The ViewBoard® 52 Series is a 4K Ultra HD interactive whiteboard equipped with user-centric design features and best-in-class collaboration tools for today's lessons made easy. With a single-cable solution for instant, worry-free connectivity and a unique angular design for easy access to shortcut keys and I/O ports, teachers can seamlessly connect and control for uninterrupted, flowing classes. Dual-pen capability, 33-point touch, Ultra Fine Touch and palm awareness technology combine for a naturally smooth writing experience and endless opportunities for student collaboration, supported by 2X15W front-facing speakers and a 15W subwoofer for amplified student engagement. In another industry-first feature of the display, teachers facilitating distance or hybrid learning from their personal device can easily access the 8-mic array and any connected visualizer to select the most appropriate camera and mic source. Complete with a browser-based remote management system, the ViewBoard 52 Series delivers a market-leading interactive whiteboard solution for teachers, students, and IT managers.



1. Type-C
2. HDMI In
3. Touch
4. USB 3.0 X 2
5. 8-Microphone Array
6. Front-Facing Speakers
7. Menu Controls

8. OPS Slot
9. Wi-Fi Module Slot
10. USB 3.0 X 2
11. USB 2.0
12. Touch
13. DP In
14. HDMI In X 2

15. VESA® Wall Mount 600 x 400mm
16. Subwoofer
17. HDMI Out
18. LAN
19. SPDIF
20. VGA
21. Audio In

22. Earphone
23. RS232

Visit Us  [www.viewsonic.com](http://www.viewsonic.com)

**DISPLAY**

Panel Size:	65"
Panel Type:	TFT LCD Module with DLED Backlight.
Display Area (mm):	1428.48(H) x 803.52(V)
Aspect Ratio:	16:9
Resolution:	UHD 3840x2160(Pixels)
Colors:	1.07B colors (10bit)
Brightness:	400 nits (typ.)
Contrast Ratio:	1200:1 Typ. , 5000:1 Max.(DCR enable)
Response Time:	8ms
Viewing Angles:	H = 178, V = 178 typ.
Backlight Life:	50,000 Hours (Typ.)
Surface Treatment:	Hardness: 7H and Anti-glare, Anti-fingerprint coating

**PLATFORM**

Processor:	ARM Cortex A73*4
RAM:	4GB (IFP6552-1A) 8GB (IFP6552-1B)
Storage:	32GB (IFP6552-1A) 64GB (IFP6552-1B)

**TOUCH**

Type/ Tech:	UFT (Ultra Fine Touch) Technology
Touch Resolution:	32767 x 32767
Touch Point:	Windows: 33 points touch Android: 20 points touch

**INPUT**

HDMI:	x2 (3840x2160@60Hz, HDCP2.2, CEC, Front x1, Side x1) x1 (3840x2160@60Hz, HDCP2.2, CEC, ARC, Side x 1)
RGB / VGA:	x1 (1920x1080 @60Hz)
DisplayPort:	x1 (3840x2160 @60Hz)
Audio:	x1 (PC audio in)
RS232:	x1
OPS:	module slot x 1
WiFi:	module slot x 1

**OUTPUT**

HDMI:	x1 (on demand)
Audio:	x1 (Earphone out)
SPDIF:	x1 (optical)

**LAN**

RJ45:	x1
-------	----

**USB**

Type A:	USB 2.0 x 1(Side x1) USB 3.0 x 4 (Front x2, Side x2, SmartPort™ USB)
Type B:	x2, for touch
Type C:	x1 (USB3.0, DP1.2 Alt Mode, Ethernet, PD 60W)

**SPEAKERS**

15W x 2 + 15W x 1 subwoofer

**MICROPHONE**

built-in 8-array microphone

**TOP CAMERA PLATE**

Yes

**EMBEDDED OS**

Android 9

**BUNDLE SOFTWARE**

Basic Annotation Software:	myViewBoard WhiteBoard for Android
Pro Annotation Software:	myViewBoard WhiteBoard for Windows (embedded in VPC)
Wireless Presentation:	ViewBoard Cast & myViewBoard Display

**SPECIAL FEATURES**

All-in-one USB port (combine Windows/Android USB port; no need to distinguish them anymore):	USB 3.0 x 4
Simple LAN sharing between IFP and slot-in device:	10/100/1000M for Android and PC
Light Sensor:	Yes

**POWER**

Voltage:	100-240VAC +/- 10% Wide Range
Consumption:	190W (Typ.) < 0.5 W ("Off")

**ERGONOMICS**

Wall Mount (VESA® ):	600 x 400
----------------------	-----------

**OPERATING CONDITIONS**

Temperature (° C):	0°C to 40°C
Humidity:	20% ~ 80% RH Non-Condensing

**DIMENSIONS (W X H X D)**

Physical (inch / mm):	1509.1 (W) x 955.4 (H) x 119.1 (D) mm 59.41 (W) x 37.61 (H) x 4.69 (D) inch
Packaging (inch / mm):	1660 (W) x 1045 (H) x 245 (D) mm 65.35 (W) x 41.14 (H) x 9.65 (D) inch

**WEIGHT**

Net (lb / kg):	96.78 lb / 43.9 kg
Gross (lb / kg):	122.14 lb / 55.4 kg

**REGULATIONS**

cTUVus, FCC, EPEAT, Mexico coc, Mexico Energy, RoHS, Energy Star 8, CEC, EMC/CE, CB, RoHS & DOC, REACH, WEEE, ErP, EEL, RCM, BIS, PSE, VCCI, CCC, CECP

**PACKAGE CONTENTS**

1. Power cable(3 meters) 2. Remote control 3. USB Type-C cable (1.5 meters) 4. USB Touch cable (3 meters, USB2.0) 5. Touch pen x 2 6. Quick Start Guide + Compliance statement 7. RS232 adapter 8. Clamp x 5 9. Camera Plate 10. Screw x 8 (camera 2+2, wall mount 4) 11. HDMI cable (3 meters) 12. Eraser 13. AAA Battery x 2

**COMPATIBLE SLOT-IN PC**

VPC12 & VPC25/27-O & VPC25/27-O-B series